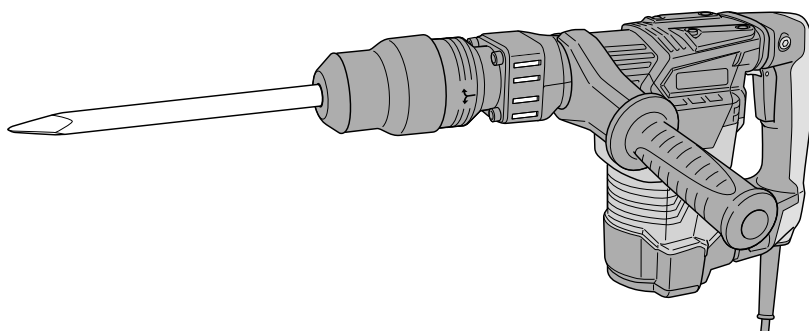


## H 41MB2



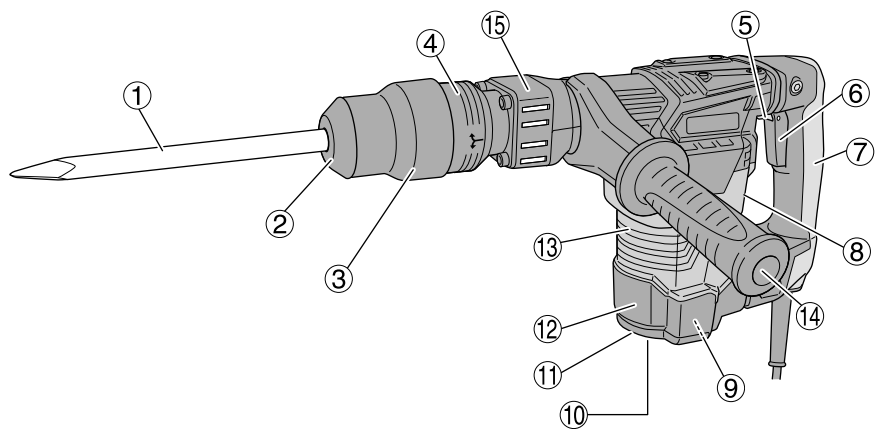
en Handling instructions

uk Інструкції щодо поводження з пристроєм

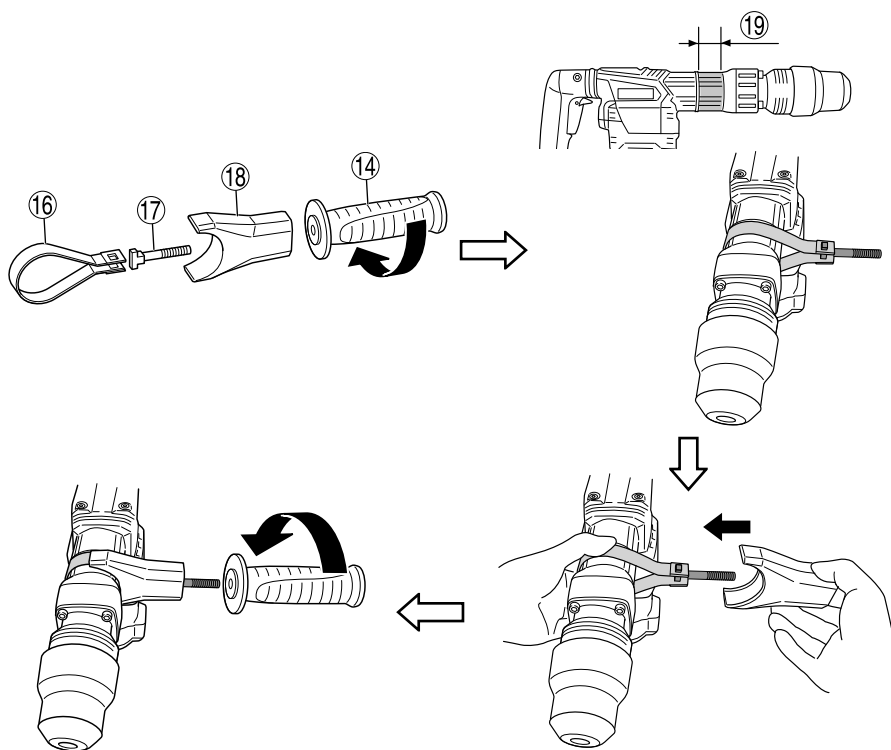
ru Инструкция по эксплуатации

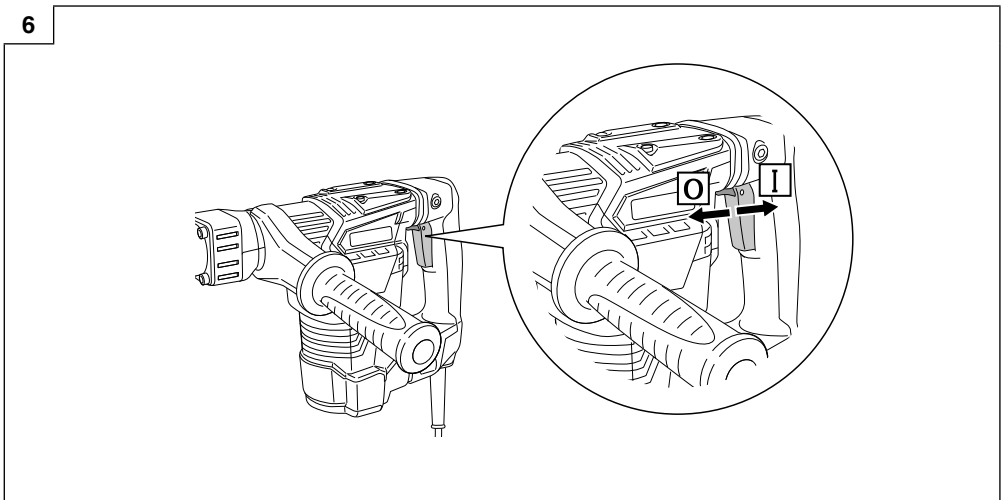
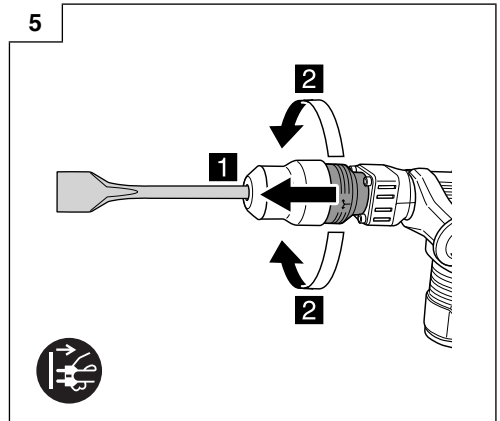
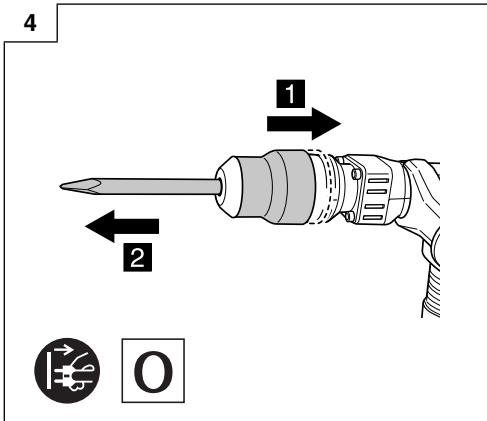
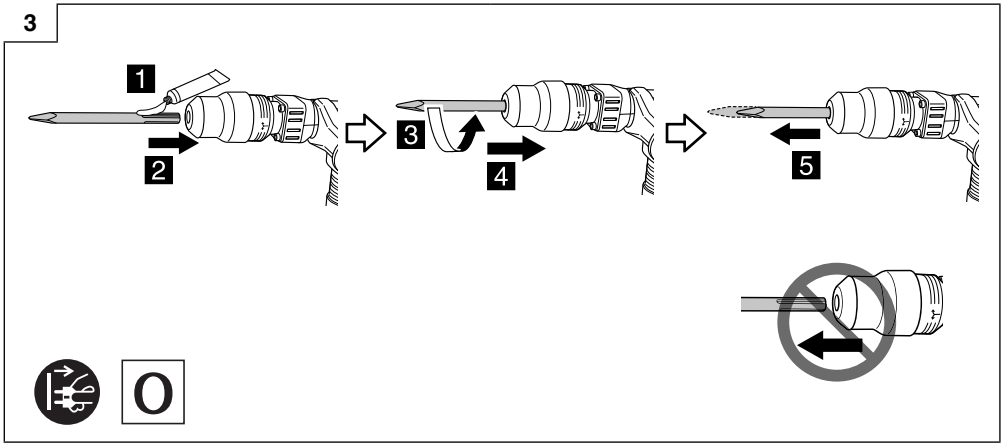


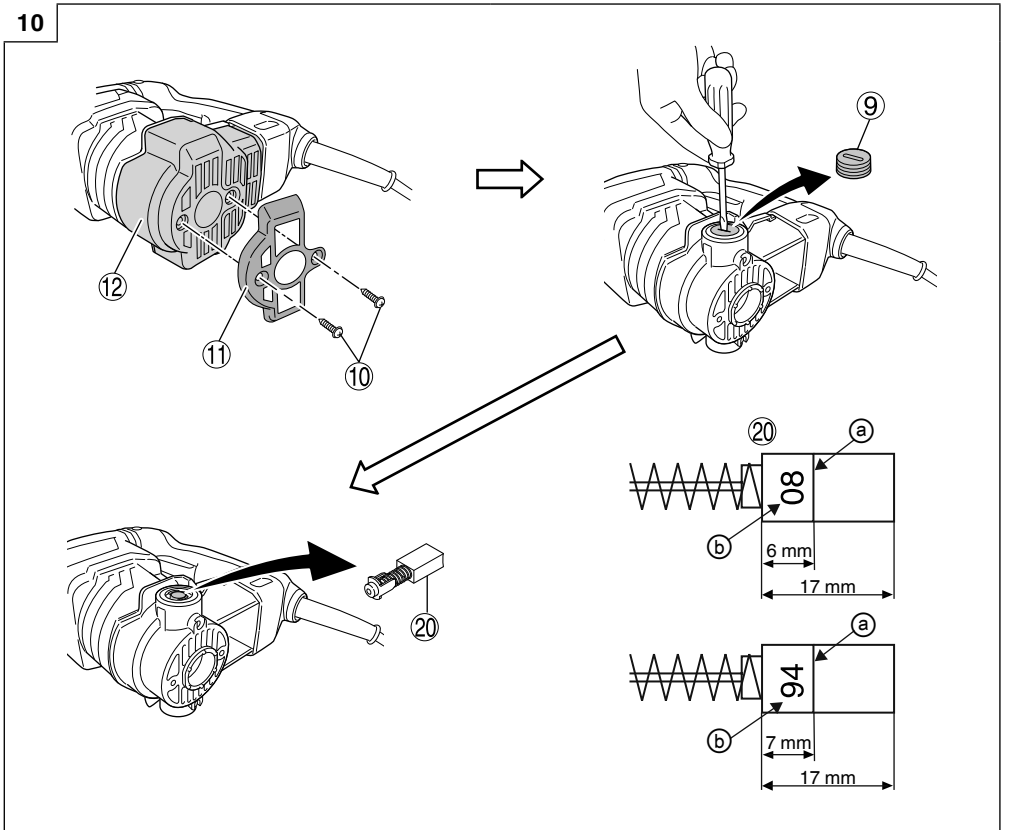
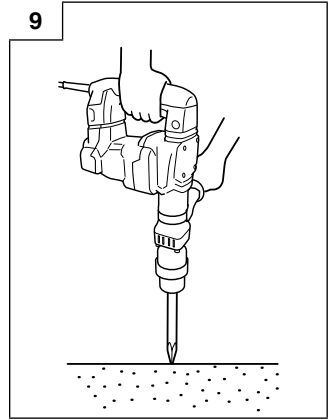
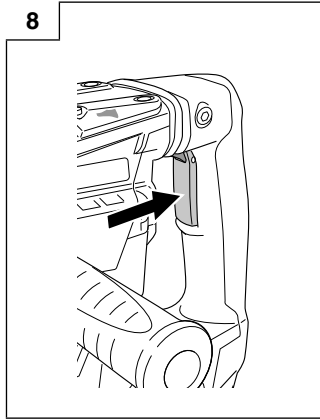
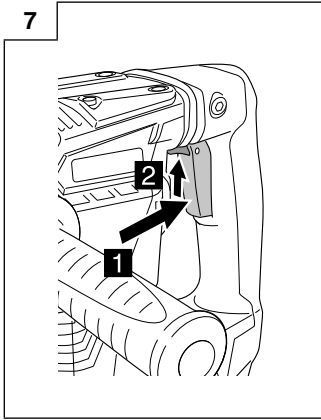
1





2







	H41MB2
V	(110 V, 120 V, 127 V, 220 V, 230 V, 240 V) ~
P	950 W
Bpm	3000 min <sup>-1</sup>
 kg	5,2 kg

## GENERAL POWER TOOL SAFETY WARNINGS

### ⚠ WARNING

**Read all safety warnings and all instructions.**

*Failure to follow the warnings and instructions may result in electric shock, fire and/or serious injury.*

**Save all warnings and instructions for future reference.**

*The term "power tool" in the warnings refers to your mains-operated (corded) power tool or battery-operated (cordless) power tool.*

#### 1) Work area safety

##### a) Keep work area clean and well lit.

*Cluttered or dark areas invite accidents.*

##### b) Do not operate power tools in explosive atmospheres, such as in the presence of flammable liquids, gases or dust.

*Power tools create sparks which may ignite the dust or fumes.*

##### c) Keep children and bystanders away while operating a power tool.

*Distractions can cause you to lose control.*

#### 2) Electrical safety

##### a) Power tool plugs must match the outlet.

*Never modify the plug in any way.*

**Do not use any adapter plugs with earthed (grounded) power tools.**

*Unmodified plugs and matching outlets will reduce risk of electric shock.*

##### b) Avoid body contact with earthed or grounded surfaces, such as pipes, radiators, ranges and refrigerators.

*There is an increased risk of electric shock if your body is earthed or grounded.*

##### c) Do not expose power tools to rain or wet conditions.

*Water entering a power tool will increase the risk of electric shock.*

##### d) Do not abuse the cord. Never use the cord for carrying, pulling or unplugging the power tool. Keep cord away from heat, oil, sharp edges or moving parts.

*Damaged or entangled cords increase the risk of electric shock.*

##### e) When operating a power tool outdoors, use an extension cord suitable for outdoor use.

*Use of a cord suitable for outdoor use reduces the risk of electric shock.*

##### f) If operating a power tool in a damp location is unavoidable, use a residual current device (RCD) protected supply.

*Use of an RCD reduces the risk of electric shock.*

#### 3) Personal safety

##### a) Stay alert, watch what you are doing and use common sense when operating a power tool. Do not use a power tool while you are tired or under the influence of drugs, alcohol or medication.

*A moment of inattention while operating power tools may result in serious personal injury.*

##### b) Use personal protective equipment. Always wear eye protection.

*Protective equipment such as dust mask, non-skid safety shoes, hard hat, or hearing protection used for appropriate conditions will reduce personal injuries.*

##### c) Prevent unintentional starting. Ensure the switch is in the off position before connecting to power source and/or battery pack, picking up or carrying the tool.

*Carrying power tools with your finger on the switch or energising power tools that have the switch on invites accidents.*

##### d) Remove any adjusting key or wrench before turning the power tool on.

*A wrench or a key left attached to a rotating part of the power tool may result in personal injury.*

##### e) Do not overreach. Keep proper footing and balance at all times.

*This enables better control of the power tool in unexpected situations.*

##### f) Dress properly. Do not wear loose clothing or jewellery. Keep your hair, clothing and gloves away from moving parts.

*Loose clothes, jewellery or long hair can be caught in moving parts.*

##### g) If devices are provided for the connection of dust extraction and collection facilities, ensure these are connected and properly used.

*Use of dust collection can reduce dust-related hazards.*

#### 4) Power tool use and care

##### a) Do not force the power tool. Use the correct power tool for your application.

*The correct power tool will do the job better and safer at the rate for which it was designed.*

##### b) Do not use the power tool if the switch does not turn it on and off.

*Any power tool that cannot be controlled with the switch is dangerous and must be repaired.*

##### c) Disconnect the plug from the power source and/or the battery pack from the power tool before making any adjustments, changing accessories, or storing power tools.

*Such preventive safety measures reduce the risk of starting the power tool accidentally.*

##### d) Store idle power tools out of the reach of children and do not allow persons unfamiliar with the power tool or these instructions to operate the power tool.

*Power tools are dangerous in the hands of untrained users.*

##### e) Maintain power tools. Check for misalignment or binding of moving parts, breakage of parts and any other condition that may affect the power tool's operation.

*If damaged, have the power tool repaired before use.*

##### f) Keep cutting tools sharp and clean.

*Properly maintained cutting tools with sharp cutting edges are less likely to bind and are easier to control.*

##### g) Use the power tool, accessories and tool bits etc. in accordance with these instructions, taking into account the working conditions and the work to be performed.

*Use of the power tool for operations different from those intended could result in a hazardous situation.*

#### 5) Service

##### a) Have your power tool serviced by a qualified repair person using only identical replacement parts.

*This will ensure that the safety of the power tool is maintained.*

#### PRECAUTION

**Keep children and infirm persons away.**

**When not in use, tools should be stored out of reach of children and infirm persons.**

## DEMOLITION HAMMER SAFETY WARNINGS

- Wear ear protectors.**  
Exposure to noise can cause hearing loss.
- Use auxiliary handle(s), if supplied with the tool.**  
Loss of control can cause personal injury.
- Hold power tool by insulated gripping surfaces, when performing an operation where the cutting accessory may contact hidden wiring or its own cord.**  
Cutting accessory contacting a "live" wire may make exposed metal parts of the power tool "live" and could give the operator an electric shock.

## ADDITIONAL SAFETY WARNINGS

- Ensure that the power source to be utilized conforms to the power requirements specified on the product nameplate.
- Ensure that the power switch is in the OFF position.  
If the plug is connected to a receptacle while the power switch is in the ON position, the power tool will start operating immediately, which could cause a serious accident.
- When the work area is removed from the power source, use an extension cord of sufficient thickness and rated capacity. The extension cord should be kept as short as practicable.
- Do not touch the bit during or immediately after operation. The bit becomes very hot during operation and could cause serious burns.
- Before starting to break, chip into a wall, floor or ceiling, thoroughly confirm that such items as electric cables or conduits are not buried inside.
- At the start of work, confirm screw tightening.
- When working at a highly elevated location, pay attention to articles and persons below.
- Wear protective shoes to protect your feet.
- Wear a dust mask.  
Do not inhale the harmful dusts generated in chiseling operation. The dust can endanger the health of yourself and bystanders.
- Mounting the tool
  - To prevent accidents, make sure to turn the switch off and disconnect the plug from the receptacle.
  - When using tools such as bull points, cutters, etc., make sure to use the genuine parts designated by our company.
  - Clean the shank portion of the bull point. Then smear the shank portion with the grease or machine oil.
- Be sure to grip the handle and side handle or cylinder case cover during work. Do not hold by the grip during work. If you pull it by mistake, the bull point could jump out.
- RCD**  
The use of a residual current device with a rated residual current of 30mA or less at all times is recommended.






## NAMES OF PARTS (Fig. 1 – Fig. 10)

①	Tool Shank
②	Front Cap
③	Grip
④	Grip (B)
⑤	On-lock Switch
⑥	Trigger Switch
⑦	Handle
⑧	Nameplate
⑨	Brush Cap (Inside the Tail Cover)
⑩	Set screw (Under the Plate)
⑪	Plate
⑫	Tail Cover
⑬	Housing
⑭	Side Handle
⑮	Cylinder Case Cover
⑯	Band
⑰	Handle Bolt
⑱	Mount
⑲	Band attachment area
⑳	Carbon brush





## SYMBOLS

### WARNING

The following show symbols used for the machine. Be sure that you understand their meaning before use.

	H41MB2 : Demolition Hammer
	Low Vibration Handle
	To reduce the risk of injury, user must read instruction manual.
	Only for EU countries Do not dispose of electric tools together with household waste material! In observance of European Directive 2002/96/EC on waste electrical and electronic equipment and its implementation in accordance with national law, electric tools that have reached the end of their life must be collected separately and returned to an environmentally compatible recycling facility.
<b>V</b>	Rated voltage
<b>P</b>	Power Input
Bpm	Full-load impact rate
	Weight (According to EPTA-Procedure 01/2003)
<b>I</b>	Switching ON
<b>O</b>	Switching OFF

# English

	Disconnect mains plug from electrical outlet
	SDS max shank
	Class II tool
	Prohibited action

## STANDARD ACCESSORIES

In addition to the main unit (1 unit), the package contains the accessories listed in the below.

- Plastic Case ..... 1
  - Bull Point (SDS-max shank) ..... 1
  - Side Handle ..... 1
- Standard accessories are subject to change without notice.

## APPLICATIONS

Demolishing concrete, chiseling off concrete, grooving, bar cutting.

Application examples:

Installation of piping and wiring, sanitary facility installation, machinery installation, water supply and drainage work, interior jobs, harbor facilities and other civil engineering works.

## SPECIFICATIONS

The specifications of this machine are listed in the Table on page 5.

### NOTE

Due to HiKOKI's continuing program of research and development, the specifications herein are subject to change without prior notice.

## MOUNTING AND OPERATION

Action	Figure	Page
Installing the side handle	2	2
Inserting SDS-max tools	3	3
Removing SDS-max tools	4	3
Deciding working position of tool	5	3
Switch operation	6	3
Locking-on the On / Off switch	7	4
Releasing the On / Off switch	8	4
How to use the demolition hammer*	9	4
Replacing carbon brushes	10	4
Selecting accessories	—	19

\* Operate this Demolition Hammer by utilizing its empty weight. The performance will not be better even if it is pressed or thrust forcibly against the work surface. Hold this Demolition Hammer with a force just sufficient to counteract the reaction.

### Warming up (Fig. 9)

The grease lubrication system in this unit may require warming up in cold regions.

Position the end of the bit so makes contact with the concrete, turn on the switch and perform the warming up operation. Make sure that a hitting sound is produced and then use the unit.

## GREASE REPLACEMENT

This Demolition Hammer is of full air-tight construction to protect against dust and to prevent lubricant leakage. Therefore, this Demolition Hammer can be used without lubrication for long periods. Replace the grease as described below.

### Grease Replacement Period

After purchase, replace grease after every 6 months of usage. Ask for grease replacement at the nearest authorized Service Center.

## MAINTENANCE AND INSPECTION

### CAUTION

Be sure to switch OFF and disconnect the attachment plug from the receptacle to avoid a serious accident.

#### 1. Inspecting accessories

Since use of a dull accessory, such as a bull point, a cutter, etc. will degrade efficiency and cause possible motor malfunction, sharpen or replace with a new one as soon as abrasion is noted.

#### 2. Inspecting the mounting screws

Regularly inspect all mounting screws and ensure that they are properly tightened. Should any of the screws be loose, retighten them immediately. Failure to do so could result in serious hazard.

#### 3. Maintenance of the motor

The motor unit winding is the very "heart" of the power tool. Exercise due care to ensure the winding does not become damaged and/or wet with oil or water.

#### 4. Inspecting the carbon brushes (Fig. 10)

The Motor employs carbon brushes which are consumable parts. When they become worn to or near the "wear limit" Ⓞ, it results in motor trouble.

When an auto-stop carbon brush is equipped, the motor will stop automatically. At that time, replace both carbon brushes with new ones which have the same carbon brush Numbers Ⓞ shown in the Fig. 10. In addition, always keep carbon brushes clean and ensure that they slide freely within the brush holders.

#### 5. Replacing carbon brushes (Fig. 10)

Loosen the two set screws and remove the plate and the tail cover. Remove the brush caps and carbon brushes. After replacing the carbon brushes, do not forget to tighten the brush caps securely and to install the plate and the tail cover.

#### 6. Replacing supply cord

If the replacement of the supply cord is necessary, this has to be done by the manufacturer of this agent in order to avoid a safety hazard.

### CAUTION

In the operation and maintenance of power tools, the safety regulations and standards prescribed in each country must be observed.



---

**GUARANTEE**

We guarantee HiKOKI Power Tools in accordance with statutory/country specific regulation. This guarantee does not cover defects or damage due to misuse, abuse, or normal wear and tear. In case of complaint, please send the Power Tool, undismantled, with the GUARANTEE CERTIFICATE found at the end of this Handling instruction, to a HiKOKI Authorized Service Center.

---

**IMPORTANT**

Correct connection of the plug

The wires of the main lead are coloured in accordance with the following code:

Blue: — Neutral

Brown: — Live

As the colours of the wires in the main lead of this tool may not correspond with the coloured markings identifying the terminals in your plug proceed as follows:

The wire coloured blue must be connected to the terminal marked with the letter N or coloured black. The wire coloured brown must be connected to the terminal marked with the letter L or coloured red. Neither core must be connected to the each terminal.

**NOTE**

This requirement is provided according to BRITISH STANDARD 2769: 1984.

Therefore, the letter code and colour code may not be applicable to other markets except The United Kingdom.

---



---

---

**Information concerning airborne noise and vibration**

The measured values were determined according to EN60745 and declared in accordance with ISO 4871.

Measured A-weighted sound power level: 101.9 dB (A)

Measured A-weighted sound pressure level: 87.9 dB (A)

Uncertainty K: 1.8 dB (A).

Wear hearing protection.

Vibration total values (triax vector sum) determined according to EN60745.

Chiselling:

Vibration emission value  $a_h$ ,  $C_{Heq}$  = 9.0 m/s<sup>2</sup>

Uncertainty K = 1.5 m/s<sup>2</sup>

---

The declared vibration total value has been measured in accordance with a standard test method and may be used for comparing one tool with another.

It may also be used in a preliminary assessment of exposure.

**WARNING**

- The vibration emission during actual use of the power tool can differ from the declared total value depending in the ways in which the tool is used.
  - Identify safety measures to protect the operator that are based on an estimation of exposure in the actual conditions of use (taking account of all parts of the operating cycle such as the times when the tool is switched off and when it is running idle in addition to the trigger time).
- 

**NOTE**

Due to HiKOKI's continuing program of research and development, the specifications herein are subject to change without prior notice.

---

## ЗАГАЛЬНІ ІНСТРУКЦІЇ БЕЗПЕКИ ЕЛЕКТРИЧНОГО ІНСТРУМЕНТУ

### ⚠ ПОПЕРЕДЖЕННЯ

Прочитайте всі правила безпеки та вказівки.

Невиконання цих правил та інструкцій може призвести до удару струмом, пожежі та/або серйозної травми.

Збережіть всі інструкції та правила для подальшого користування.

Термін «електричний інструмент» у правилах позначає ваш електричний автоматичний інструмент, що працює від мережі (з дротом), або електричний інструмент, що працює на батареях (бездротовий).

#### 1) Безпека робочого місця

- Стенте за чистою і правильним освітленням робочого місця. Захаращені або темні ділянки так і «чекають» на нещасний випадок.
- Не працюйте автоматичними інструментами там, де повітря насичене вибухонебезпечними речовинами, такими як горючі рідини, гази або пил. Автоматичні інструменти висікають іскри, від яких можуть зайнятися пил або випари.
- Під час роботи автоматичним інструментом не підпускайте до себе дітей і просто бажачих подивитися на вашу роботу. Якщо вас відволікатимуть, ви можете втратити контроль над інструментом.

#### 2) Безпека електропристрою

- Штепсельна виделка автоматичного інструменту мусить підходити до розетки електромережі. Ніколи ніяким чином не змінюйте виделку. Не користуйтеся жодними насадками-адаптерами для заземлених автоматичних інструментів. Незмінні штепсельні виделки та відповідні їм розетки зменшують ризик удару електрострумом.
- Не торкайтеся тілом заземлених предметів або поверхонь, таких як труби, батареї опалення і холодильники. Якщо ви торкнетесь тілом заземленого предмету, це збільшує ризик удару струмом.
- Не допускайте, щоб на автоматичні інструменти потрапляли дощ або волога. Вода, яка потрапила до автоматичного інструмента, підвищує ризик удару струмом.
- Обережно поводьтеся зі шнуром. Ніколи не несіть інструмент на шнурі, не волочіть його за шнур і не витягайте штепсельну виделку з розетки, тягнучи за шнур. Береніть шнур від тепла, олій, гострих поверхонь та рухомих деталей. Пошкоджені або заплутані шнури збільшують ризик ураження електрострумом.
- Працюючи автоматичним інструментом просто неба, користуйтеся подовжувачами, пристосованими для застосування просто неба. Користування шнуром, пристосованим до користування просто неба, знижує ризик ураження струмом.
- Якщо не уникнути роботи у вологому середовищі, користуйтеся джерелом живлення із пристроєм захисту від замикання на землю. Пристрій захисту від замикання на землю знижує ризик удару струмом.

#### 3) Особиста безпека

- Не втрачайте пильності, стежте за тим, що робите, і користуйтеся здоровим глуздом під час роботи автоматичним інструментом. Не працюйте автоматичним інструментом, коли ви втомлені або знаходитесь під дією наркотиків, алкоголю або ліків. Мить неуваги під час роботи автоматичним інструментом може спричинити важку травму.
- Користуйтеся засобами індивідуального захисту. Завжди користуйтеся засобами для захисту очей. Засоби індивідуального захисту, такі як респиратор, черевики із протекторами, каска або беруші у відповідних умовах зменшать ризик травмування.
- Запобігайте випадковому увімкненню. Переконайтеся, що перемикач знаходиться в положенні «вимкнено», перш ніж підключитися до джерела живлення і/або акумулятора, взятися за інструмент або переносити його. Якщо переносити автоматичні інструменти увімкненими або тримаючи палець на перемикачі, це може стати причиною нещасного випадку.
- Змініть будь-які регулюючі ключі або блокатори, перш ніж вмикати інструмент. Якщо регулюючий ключ або блокатор лишили прикріпленим до частини інструмента, яка обертається, це може спричинити травму.
- Не тягніться і не перехилийтеся, працюючи з інструментом. Завжди надійно стійте на ногах і зберігайте рівновагу. Це надає кращий контроль над автоматичним інструментом у несподіваних ситуаціях.
- Носіть правильний робочий одяг. Не носіть широкий одяг або ювелірні прикраси. Тримайте волосся, одяг і рукавички подалі від рухомих частин. Широкий одяг, ювелірні прикраси або довге волосся може потрапити до рухомих частин.
- Якщо у наявності є пристрій для збирання пилу, скористуйтеся ним за умови, що він правильно підключений і працює. Користування пристроєм для збирання пилу може знизити небезпеки, пов'язані із накопиченням пилу.

#### 4) Експлуатація і догляд за автоматичним інструментом

- Не застосовуйте надмірну силу до автоматичного інструменту. Для виконання різних видів робіт підбирайте відповідні інструменти. Правильно підібраний автоматичний інструмент краще виконає роботу і гарантуватиме більше безпеки.
- Не користуйтеся автоматичним інструментом, якщо перемикач не працює. Будь-який автоматичний інструмент, який неможливо контролювати перемикачем, є небезпечним. Його слід полагодити.
- Відключіть виделку з джерела живлення і/або акумулятор від автоматичного інструменту, перш ніж будь-що регулювати, змінювати ансесуари або зберігати автоматичні інструменти. Ці заходи безпеки знижують ризик випадково увімкнути автоматичний інструмент.

- d) Зберігайте інструменти у місцях, недоступних для дітей, і не дозволяйте людям, не ознайомленим із автоматичними інструментами і цими інструкціями, користуватися автоматичним інструментом. Автоматичні інструменти є небезпечними в руках не підготованих користувачів.
- e) Доглядайте за електричними інструментами. Перевіряйте, чи не зсунулися і чи не зігнулися рухомі частини, чи не зламалися окремі деталі, а також чи не трапилося якихось небажаних змін, які можуть погано вплинути на роботу інструмента. Якщо автоматичний інструмент пошкоджений, його слід полагодити перед подальшим використанням. Багато нещасних випадків трапляється через поганий догляд за автоматичними інструментами.
- f) Вчасно чистьте і загострюйте інструменти для різання. Інструменти для різання, за якими правильно доглядають і які вчасно підточують, рідше згинаються, і їх легше контролювати.
- g) Користуйтеся автоматичним інструментом, аксесуарами і насадками згідно цих інструкцій, враховуючи робочі умови та завдання. Застосуйте різні автоматичні інструменти для різних видів робіт. Невідповідність інструмента і застосування може створити небезпечну ситуацію.

## 5) Обслуговування

- a) Обслуговувати ваш автоматичний інструмент може лише кваліфікований технік, замінюючи деталі лише на ідентичні. Це гарантуватиме безпеку автоматичного інструмента.

## ЗАСТЕРЕЖЕННЯ

Не підпускайте до інструменту дітей і неповносправних осіб. Коли інструментом не користуються, його слід зберігати в місцях, недоступних для дітей та неповносправних осіб.

## ПРАВИЛА БЕЗПЕКИ ЩОДО ВИКОРИСТАННЯ ВІДБІЙНОГО МОЛОТКА

- Використовуйте пристосування для захисту слуху. Вплив шуму може призвести до втрати слуху.
- Використовуйте додаткову рукоятку(-и), якщо поставляється разом з інструментом. Втрата контролю може призвести до травми.
- Тримайте електроінструмент лише за відповідні ручки з ізоляцією, оскільки ріжуча насадка може зачепити приховані електричні дроти або власний шнур живлення. При контакті ріжучої насадки з проводною, що знаходиться під напругою, неізольовані металеві частини електроінструменту можуть проводити електричний струм, який призведе до ураження оператора.

## ДОДАТКОВІ ПРАВИЛА БЕЗПЕКИ

- Переконайтеся, що джерело живлення, яким ви будете користуватися, відповідає вимогам до живлення, зазначеним на наклейці на корпусі виробу.

- Переконайтеся, що перемикач живлення знаходиться в положенні ВІМКНЕНО. Якщо штепсельна вилка підключена до розетки, коли перемикач знаходиться в положенні УВІМКНЕНО, інструмент негайно почне працювати, а це може призвести до нещасного випадку.
- Коли робоча поверхня знаходиться далеко від джерела живлення, користуйтеся подовжувачем достатньої товщини і номінальної потужності. Подовжувач мусить бути настільки коротким, настільки й практичним.
- Не торкайтеся свердла під час роботи і відразу після її закінчення. Свердло сильно нагрівається під час роботи і може стати причиною серйозних опіків.
- Перед тим як почати руйнувати, добати стіну, підлогу або стелю, обов'язково переконайтеся в тому, що всередині не прокладено електричні кабелі або водопровідні труби.
- Перед початком роботи перевірте затягування гвинтів.
- При роботі на високому піднесенні подбайте про безпеку людей і предметів, які можуть знаходитися внизу під робочим місцем.
- Одягайте захисне взуття для захисту ваших ніг.
- Надягайте респіратор. Не вдихайте шкідливий пил, який утворюється під час додання. Пил може становити небезпеку для вашого здоров'я та здоров'я оточуючих.
- Установлення інструмента
  - Щоб уникнути нещасних випадків, переконайтеся в тому, що перемикач вимкнений, а штепсельна вилка від'єднана від розетки.
  - При використанні таких інструментів, як пірамідальні долота, різальне приладдя тощо, упевніться, що використовуєте оригінальні запасні частини, визначені нашою компанією.
  - Почистьте хвостовик пірамідального долота. Потім змастіть хвостовик змащувальним матеріалом або машинним маслом.
- Під час роботи обов'язково міцно тримайте рукоятку та бічну рукоятку або кришку циліндричного корпусу. Не беріться за рукоятку під час роботи. Лом може вискочити, якщо Ви потянете його помилково.
- Пристрій захисту від замикання на землю. Рекомендовано завжди використовувати пристрій захисту від замикання на землю з номінальним залишковим струмом 30 мА або менше.

## НАЗВИ КОМПОНЕНТІВ ( мал. 1 – мал. 10)

①	Хвостовик інструмента
②	Передня кришка
③	Затискний патрон
④	Затискний патрон (В)
⑤	Перемикач блокування
⑥	Курковий перемикач
⑦	Рукоятка
⑧	Заводська табличка
⑨	Ковпачок щітки (всередині задньої кришки)
⑩	Регульований гвинт (під пластиною)
⑪	Пластина
⑫	Задня кришка
⑬	Кожух
⑭	Бічна рукоятка
⑮	Кришка циліндричного корпусу

16	Пасок
17	Фіксаційний болт
18	Накладка
19	Місце кріплення паска
20	Вугільна щітка

## ОБЛАСТІ ЗАСТОСУВАННЯ

Руйнування бетону, довбання бетону, підготовка кромки, обрізка.

Приклади застосування:

Прокладання трубопроводу та електропроводки, монтажу санітарно-технічних споруд, установки механічного обладнання, прокладання водопроводу і дренажних робіт, робіт всередині приміщення, будівництва портових споруд та інших будівельних робіт.

## СИМВОЛИ

### ПОПЕРЕДЖЕННЯ

Нижче наведено символи, які зазначаються на пристрої. Перш ніж користуватися пристроєм, ви повинні розуміти їх значення.

	H41 MB2 : Відбійний молоток
	Рукоятка низької вібрації
	Щоб зменшити ризик отримання травми, користувач повинен прочитати інструкції з експлуатації.
	Лише для країн ЕС Не викидайте електричні інструменти із побутовими відходами! Згідно європейської директиви 2002/96/ЕС про відходи електронного та електричного виробництва і її запровадження згідно місцевих законів електроінструменти, які відслужили робочий строк, слід утилізувати окремо і повертати до установ, що займаються екологічною переробкою брухту.
V	Номінальна напруга
P	Вхід живлення
Bpm	Частота ударів при повному навантаженні
	Вага (згідно з процедурою 01/2003 Європейської асоціації виробників електроінструмента)
I	Перемикач УВИМК.
O	Перемикач ВИМК.
	Відключіть штепсельну вилку від електричної розетки
	Хвостовик SDS max
	Електричний пристрій класу II
	Заборонена дія

## ТЕХНІЧНІ ХАРАКТЕРИСТИКИ

Технічні характеристики даного пристрою наведено в таблиці на стор. 5.

### ПРИМІТКА

Через постійні дослідження і розвиток, які здійснює компанія HIKOKI, технічні характеристики можуть змінюватися без попередження.

## УСТАНОВКА ТА ЕКСПЛУАТАЦІЯ

Операція	Малюнок	Сторінка
Установка бічної рукоятки	2	2
Установка інструменту SDS-max	3	3
Зняття інструменту SDS-max	4	3
Вибір робочого положення інструмента	5	3
Функціонування пускового перемикача	6	3
Блокування перемикача увімкнення / вимкнення	7	4
Зняття блокування перемикача увімкнення / вимкнення	8	4
Використання відбійного молотка *	9	4
Заміна вугільних щіток	10	4
Вибір аксесуарів	—	19

\* Використовуйте даний відбійний молоток, застосовуючи його власну вагу. Ефективність експлуатації не покращиться навіть при сильному натисненні або ударі інструментом по робочій поверхні. Утримуйте даний відбійний молоток із зусиллям, яке буде достатнім тільки для того, щоб протидіяти віддачі.

### Прогрівання (Рис. 9)

У холодних регіонах системі мастила даного інструменту може знадобитися прогрівання. Приставте кінчик бура до бетонної поверхні, увімкніть інструмент і прогрійте перфоратор. Починати експлуатацію інструменту можна буде після того, як ви чітко почути звуку удару.

## СТАНДАРТНІ АКСЕСУАРИ

Окрім основного пристрою (1 пристрій), до комплекту входять аксесуари, перелік яких представлено нижче.

- Пластикова валіза ..... 1
- Пікоподібний різець (з хвостовиком SDS-max) ..... 1
- Бічна рукоятка ..... 1

Комплект стандартного приладдя може бути змінений без попередження.

## ЗАМІНА МАСТИЛА

Даний відбійний молоток має повністю герметичну конструкцію для захисту від пилу й запобіганню витіканню мастила.

Тому відбійний молоток може експлуатуватися без змащування протягом тривалих періодів. Заміну змащувального матеріалу слід проводити, як зазначено нижче.

### Період заміни мастила

Після придбання замінійте мастило через кожні 6 місяців експлуатації. При необхідності придбання мастила зверніться до уповноваженого сервісного центру.

## ТЕХНІЧНЕ ОБСЛУГОВУВАННЯ І ПЕРЕВІРКА

### ОБЕРЕЖНО

Для того щоб уникнути серйозних пошкоджень, обов'язково переконайтеся в тому, що вимикач живлення знаходиться в положенні «Вимк.», і від'єднайте вилку від розетки.

#### 1. Перевірка змінного інструменту

У разі застосування тупого змінного інструменту, це може стати причиною несправності у роботі двигуна і зниження ефективності, без зволікання замініть його на новий або заточіть, як тільки помітите зношення.

#### 2. Огляд кріпильних гвинтів

Регулярно оглядайте всі кріпильні гвинти і перевіряйте їх належну затяжку. При ослабленні будь-яких гвинтів, негайно затягніть їх повторно. Невиконання цієї вимоги може призвести до серйозної небезпеки.

#### 3. Технічне обслуговування двигуна

Головним компонентом електроінструменту є обмотка двигуна. Приділяйте належну увагу тому, щоб обмотку не було пошкоджено та/або до неї не потрапило мастило або вода.

#### 4. Огляд вугільних щіток (Мал. 10)

В даному двигуні використовуються вугільні щітки, які є витратними матеріалами. Коли щітка наблизиться до «межі зносу»  $\text{Ⓢ}$  або зрівняється з ним, можуть початися перебої в роботі двигуна.

Якщо двигун оснащений автоматичною вугільною щіткою, він припинить роботу автоматично. У цей час замініть обидві вугільні щітки на нові, що мають той самий номер  $\text{Ⓢ}$ , як зазначено на Мал. 10. Крім того, завжди тримайте вугільні щітки в чистоті та перевіряйте, щоб вони вільно переміщувалися всередині держаків.

#### 5. Заміна вугільних щіток (Мал. 10)

Викрутіть два регулювальні гвинти та зніміть пластину й задню кришку. Зніміть ковпачки щіток і вугільні щітки. Після заміни вугільних щіток обов'язково надійно затягніть ковпачки щіток і встановіть пластину й задню кришку.

#### 6. Заміна шнура живлення

Щоб уникнути небезпеки травмування, заміна шнура живлення повинна проводитися виробником цього елемента.

### ОБЕРЕЖНО

Під час роботи і догляду слід брати до уваги місцеві норми і стандарти.

### ГАРАНТІЯ

Ми гарантуємо, що автоматичні інструменти НІКОКІ виготовлені згідно місцевих вказівок. Ця гарантія не розповсюджується на дефекти або пошкодження через зловживання, неправильне користування або звичайне спрацювання. Якщо ви маєте скарги, будь ласка, надішіть автоматичний інструмент, не розбираючи його, із ГАРАНТІЙНИМ СЕРТИФІКАТОМ, який знаходиться в кічці інструкції, до авторизованого сервісного центру НІКОКІ.

### Інформація про шум та вібрацію

Виміряні величини визначені згідно EN60745 і визнано такими, що відповідають ISO 4871.

Виміряний рівень потужності звуку в співвідношенні A: 101,9 дБ (A)  
Виміряний рівень тиску звуку в співвідношенні A: 87,9 дБ (A)  
Похибка K: 1,8 дБ (A).

Носить пристрій захисту органів слуху.

Повні значення вібрації (триаксальна векторна сума) визначено згідно з EN60745.

Видовбування бетону:

Значення вібрації  $a_{h, SNeq} = 9,0 \text{ м/с}^2$

Похибка K = 1,5 м/с<sup>2</sup>

Зазначений рівень вібрації був виміряний згідно стандартного тесту і може бути використаний при порівнянні інструментів між собою.

Він може використовуватися для первинного визначення впливу.

### ПОПЕРЕДЖЕННЯ

- Вібрація під час справжнього користування може відрізнятися від заявленої, залежно від способу застосування інструменту.
- Визначте заходи безпеки для оператора згідно практичного застосування (беручи до уваги всі частини робочого циклу, такі як вимикання інструменту і його роботи вхолосту на додаток до виконання робочих завдань).

### ПРИМІТКА

Через постійні дослідження і розвиток, які здійснює компанія НІКОКІ, технічні характеристики можуть змінюватися без попередження.

## ОБЩИЕ ПРАВИЛА БЕЗОПАСНОСТИ ПРИ РАБОТЕ С ЭЛЕКТРОИНСТРУМЕНТОМ

### ⚠ ПРЕДУПРЕЖДЕНИЕ

**Прочтите все правила безопасности и инструкции.** Не выполнение правил и инструкций может привести к поражению электрическим током, пожару и/или серьезной травме.

**Сохраняйте все правила и инструкции на будущее.**

Термин «электроинструмент» в контексте всех мер предосторожности относится к эксплуатируемому вами электроинструменту с питанием от сети (с сетевым шнуром) или электроинструменту с питанием от аккумуляторной батареи (беспроводному).

#### 1) Безопасность на рабочем месте

##### a) Поддерживайте чистоту и хорошее освещение на рабочем месте.

*Беспорядок и плохое освещение приводят к несчастным случаям.*

##### b) Не используйте электроинструменты во взрывоопасных окружающих условиях, например, в непосредственной близости огнеопасных жидкостей, горючих газов или легковоспламеняющейся пыли.

*Электроинструменты порождают искры, которые могут воспалить пыль или испарения.*

##### c) Держите детей и наблюдающих на безопасном расстоянии во время эксплуатации электроинструмента.

*Отвлечение внимания может стать для вас причиной потери управления.*

#### 2) Электробезопасность

##### a) Сетевые вилки электроинструментов должны соответствовать сетевой розетке.

*Никогда не модифицируйте штепсельную вилку никоим образом.*

*Не используйте никакие адаптерные переходники с заземленными (замкнутыми на землю) электроинструментами.*

*Немодифицированные штепсельные вилки и соответствующие им сетевые розетки уменьшат опасность поражения электрическим током.*

##### b) Не прикасайтесь телом к заземленным поверхностям, например, к трубопроводам, радиаторам, кухонным плитам и холодильникам.

*Если ваше тело соприкоснется с заземленными поверхностями, возрастет опасность поражения электрическим током.*

##### c) Не подвергайте электроинструменты действию воды или влаги.

*При попадании воды в электроинструмент возрастет опасность поражения электрическим током.*

##### d) Правильно обращайтесь со шнуром. Никогда не переносите электроинструмент, взявшись за шнур, не тяните за шнур и не дергайте за шнур с целью отсоединения электроинструмента от сетевой розетки.

*Располагайте шнур подальше от источников тепла, нефтепродуктов, предметов с острыми кромками и движущихся деталей.*

*Поврежденные или запутанные шнуры увеличивают опасность поражения электрическим током.*

##### e) При эксплуатации электроинструмента вне помещений используйте удлинительный шнур, предназначенный для использования вне помещения.

*Использование шнура, предназначенного для работы вне помещений, уменьшит опасность поражения электрическим током.*

##### f) При эксплуатации электроинструмента во влажной среде используйте устройство защитного отключения источника питания.

*Использование устройства защитного отключения уменьшит опасность поражения электрическим током.*

#### 3) Личная безопасность

##### a) Будьте готовы к неожиданным ситуациям, внимательно следите за своими действиями и руководствуйтесь здравым смыслом при эксплуатации электроинструмента.

*Не используйте электроинструмент, когда вы устали или находитесь под влиянием наркотиков, алкоголя или лекарственных препаратов.*

*Мгновенная потеря внимания во время эксплуатации электроинструментов может привести к серьезной травме.*

##### b) Используйте индивидуальные средства защиты. Всегда надевайте средства защиты глаз.

*Защитное снаряжение, например, противопылевой респиратор, защитная обувь с нескользящей подошвой, защитный шлем-каска или средства защиты органов слуха, используемые для соответствующих условий, уменьшат травмы.*

##### c) Избегайте непреднамеренного включения двигателя. Убедитесь в том, что выключатель находится в положении выключения перед подниманием, переноской или подседением к сетевой розетке и/или портативному батарейному источнику питания.

*Переноска электроинструментов, когда вы держите палец на выключателе, или подседение электроинструментов к сетевой розетке, когда выключатель находится в положении включения, приводит к несчастным случаям.*

##### d) Снимите все регулировочные или гаечные ключи перед включением электроинструмента.

*Гаечный или регулировочный ключ, оставленный прикрепленным к вращающейся детали электроинструмента, может привести к получению травмы.*

##### e) Не теряйте устойчивость. Все время имейте точку опоры и сохраняйте равновесие.

*Это поможет лучше управлять электроинструментом в непредвиденных ситуациях.*

##### f) Одевайтесь надлежащим образом. Не надевайте просторную одежду или ювелирные изделия. Держите волосы, одежду и перчатки как можно дальше от движущихся частей.

*Просторная одежда, ювелирные изделия или длинные волосы могут попасть в движущиеся части.*

##### g) Если предусмотрены устройства для присоединения приспособлений для отвода и сбора пыли, убедитесь в том, что они присоединены и используются надлежащим образом.

*Использование данных устройств может уменьшить опасности, связанные с пылью.*

#### 4) Эксплуатация и обслуживание электроинструментов

а) Не перегружайте электроинструмент. Используйте надлежащий для вашего применения электроинструмент.

*Надлежащий электроинструмент будет выполнять работу лучше и надежнее в том режиме работы, на который он рассчитан.*

б) Не используйте электроинструмент с неисправным выключателем, если с его помощью нельзя будет выключить и выключить инструмент.

*Каждый электроинструмент, которым нельзя управлять с помощью выключателя, будет представлять опасность, и его будет необходимо отремонттировать.*

в) Отсоедините штепсельную вилку от источника питания и/или портативный батарейный источник питания от электроинструмента перед началом выполнения какой-либо из регулировок, перед сменой принадлежностей или хранением электроинструментов.

*Такие профилактические меры безопасности уменьшат опасность непреднамеренного включения двигателя электроинструмента.*

г) Храните неиспользуемые электроинструменты в недоступном для детей месте и не разрешайте людям, не умеющим обращаться с электроинструментом или не изучившим данное руководство, работать с электроинструментом.

*Электроинструменты представляют опасность в руках неподготовленных пользователей.*

д) Содержите электроинструменты в исправности. Проверьте, нет ли несоосности или заедания движущихся частей, повреждения деталей или какаго-либо другого обстоятельства, которое может повлиять на функционирование электроинструмента.

*При наличии повреждения отремонтируйте электроинструмент перед его эксплуатацией. Большое количество несчастных случаев связано с плохим обслуживанием электроинструментов.*

е) Содержите режущие инструменты остро заточенными и чистыми.

*Надлежащим образом содержащиеся в исправности режущие инструменты с острыми режущими кромками будут меньше заедать и будут легче в управлении.*

ж) Используйте электроинструмент, принадлежности, насадки и т.п. в соответствии с данным руководством, принимая во внимание условия и объем выполняемой работы.

*Использование электроинструмента для выполнения работ не по прямому назначению может привести к опасной ситуации.*

#### 5) Обслуживание

а) Обслуживание вашего электроинструмента должно выполняться квалифицированным представителем ремонтной службы с использованием только идентичных запасных частей.

*Это обеспечит сохранность и безопасность электроинструмента.*

#### МЕРЫ ПРЕДОСТОРОЖНОСТИ

**Держите подальше от детей и немощных людей.**

Если инструменты не используются, их следует хранить в недоступном для детей и немощных людей месте.

### ПРЕДОСТЕРЕЖЕНИЯ ОТ ОПАСНОСТИ ПРИ ИСПОЛЬЗОВАНИИ ОТБОЙНОГО МОЛОТКА

1. **Одевайте средства защиты органов слуха.** Воздействие шума может привести к потере слуха.

2. **Используйте вспомогательные рукоятки, если они прилагаются к инструменту.** Потеря управления инструментом может привести к травме.

3. **При выполнении операций, во время которых режущая насадка может контактировать со скрытой проводкой или шнуром питания, держите электроинструмент за изолированные поверхности захвата.**

При контакте режущей насадки с проводкой, находящейся под напряжением, неизолированные металлические части электроинструмента могут проводить электрический ток, который приведет к поражению оператора.

### ДОПОЛНИТЕЛЬНЫЕ УКАЗАНИЯ ПО ОБЕСПЕЧЕНИЮ БЕЗОПАСНОСТИ

1. Проследите за тем, чтобы используемый источник электропитания соответствовал требованиям к источнику электропитания, указанному на типовой табличке изделия.

2. Убедитесь в том, что переключатель находится в положении «Выкл.».

Если вы вставляете штепсель в розетку, а переключатель находится в положении «Вкл.», инструмент немедленно заработает, что может стать причиной серьезной травмы.

3. Когда рабочая площадка удалена от источника электропитания, пользуйтесь удлинителем, который должен иметь требуемую площадь поперечного сечения и обеспечивать работу инструмента заданной мощности. Разматывайте удлинитель только на реально необходимую для данного конкретного применения длину.

4. Не драгивайтесь до сверла во время работы и сразу после её окончания. Сверло сильно нагревается во время работы и может стать причиной серьезных ожогов.

5. Перед тем как начать ломать, долбить стену, пол или потолок, обязательно убедитесь в том, что внутри не проложены электрические кабели или водопроводные трубы.

6. Перед началом работы проверьте затяжку винтов.

7. При работе на высоком возвышении позаботьтесь о безопасности людей и предметов, которые могут находиться внизу под рабочим местом.

8. Надевайте защитную обувь для защиты ваших ног.

9. Надевайте респиратор.

Не вдыхайте вредную пыль, образующуюся в результате долбления. Пыль может представлять опасность для вашего здоровья и здоровья окружающих.

10. Установки инструмента






○ Во избежание несчастных случаев убедитесь в том, что переключатель выключен, а штепсельная вилка отсоединена от розетки.

○ При использовании таких инструментов, как пирамидальные долота, режущие приспособления и т. д., обязательно используйте оригинальные запчасти, определенные нашей компанией.

○ Очистите хвостовик пирамидального долота. Затем смажьте хвостовик пластичным смазочным материалом или машинным маслом.

# Русский

- Обязательно держитесь за ручку и боковую ручку или крышку корпуса цилиндра во время работы. Не беритесь за рукоятку во время работы. Лом может выскочить, если вы потяните его по ошибке.
- Устройство защитного отключения  
Рекомендуется всегда использовать устройство защитного отключения источника питания с номинальным остаточным током, равным 30 мА или менее.

<b>V</b>	Номинальное напряжение
<b>P</b>	Потребляемая мощность
<b>Bpm</b>	Частота ударов при полной нагрузке
	Вес (согласно процедуре 01/2003 EPTA (Европейской ассоциации производителей электроинструмента)).
<b>I</b>	Переключатель ВКЛ.
<b>O</b>	Переключатель ВЫКЛ.
	Отсоедините штепсельную вилку от электрической розетки
	Хвостовик макс. SDS
	Электроинструмент класса II
	Запрещенное действие

## НАИМЕНОВАНИЯ ДЕТАЛЕЙ (Рис. 1 – Рис. 10)

①	Хвостовик инструмента
②	Передняя крышка
③	Рукоятка
④	Рукоятка (B)
⑤	Переключатель включения/блокировки
⑥	Нажимной переключатель
⑦	Ручка
⑧	Заводская табличка
⑨	Колпачок щетки (Внутри хвостовой крышки)
⑩	Установочный винт (под пластиной)
⑪	Пластина
⑫	Хвостовая крышка
⑬	Корпус
⑭	Боковая ручка
⑮	Крышка корпуса цилиндра
⑯	Ремешок
⑰	Болт рукоятки
⑱	Крепление
⑲	Область крепления ремешка
⑳	Угольная щетка

## СТАНДАРТНЫЕ ПРИНАДЛЕЖНОСТИ

В дополнение к основному инструменту (1 инструмент) комплект включает дополнительные принадлежности, перечень которых представлен ниже.

- Пластмассовый футляр.....1
  - Пикообразный резец (с хвостовиком SDS-max).....1
  - Боковая рукоятка.....1
- Состав и тип стандартных принадлежностей может быть изменен без предварительного уведомления.

## НАЗНАЧЕНИЕ

Разрушение бетона, долбление бетона, подготовка кромки, обрезка.

Примеры применения:  
Прокладка трубопровода и электропроводки, монтаж санитарно-технических сооружений, установка механического оборудования, прокладка водопровода и дренажных работ, работа внутри помещения, строительство портовых сооружений и прочих строительных работ.

## ТЕХНИЧЕСКИЕ ХАРАКТЕРИСТИКИ

Технические характеристики данного инструмента перечислены в таблице на странице 5.

### ПРИМЕЧАНИЕ

На основании постоянных программ исследования и развития компания HIKOKI оставляет за собой право на изменение указанных здесь технических данных без предварительного уведомления.

## СИМВОЛЫ

### ПРЕДУПРЕЖДЕНИЕ

Ниже приведены символы, используемые для устройства. Перед началом работы обязательно убедитесь в том, что вы понимаете их значение.

	H41MB2 : Отбойный молоток
	Рукоятка пониженной вибрации
	Чтобы уменьшить опасность получения травм, пользователь должен прочитать руководство по эксплуатации.
	Только для стран ЕС Не выкидывайте электроприборы вместе с обычным мусором! В соответствии с европейской директивой 2002/96/ЕС об утилизации старых электрических и электронных приборов и в соответствии с местными законами электроприборы, бывшие в эксплуатации, должны утилизироваться отдельно безопасным для окружающей среды способом.



## УСТАНОВКА И ЭКСПЛУАТАЦИЯ

Операция	Рисунок	Страница
Установка боковой ручки	2	2
Вставка инструментов SDS-max	3	3
Удаление инструментов SDS-max	4	3
Выбор рабочего положения инструмента	5	3
Функционирование пускового переключателя	6	3
Блокировка переключателя включения / выключения	7	4
Разблокировка переключателя включения / выключения	8	4
Использование отбойного молотка *	9	4
Замена угольных щёток	10	4
Выбор принадлежностей	—	19

\* Эксплуатируйте данный отбойный молоток, используя его собственный вес. Эффективность эксплуатации не улучшится даже при сильном надавливании или ударе им по рабочей поверхности. Удерживайте данный отбойный молоток с усилием, которое будет достаточным только для того, чтобы противодействовать силе отдачи.

### Прогревание (рис. 9)

В холодных регионах системе смазки данного инструмента может потребоваться прогревание. Приставьте кончик бура к бетонной поверхности, включите инструмент и прогрейте перфоратор. Начинать эксплуатацию инструмента можно будет после того, как вы отчетливо услышите звуки удара.

## ЗАМЕНА СМАЗКИ

Данный отбойный молоток имеет полностью герметичную конструкцию для защиты от пыли и вытекания смазки.

Поэтому данный отбойный молоток может эксплуатироваться без смазки в течение продолжительных периодов. Замена смазочного материала производится, как описано ниже.

### Период замены смазки

После приобретения производите замену смазки через каждые 6 месяцев эксплуатации. Обратитесь в ближайший уполномоченный сервисный центр по поводу замены смазки.

## ТЕХНИЧЕСКОЕ ОБСЛУЖИВАНИЕ И ОСМОТР

### ОСТОРОЖНО

Для того чтобы избежать серьезной травмы, обязательно убедитесь в том, что выключатель питания находится в положении «Выкл.», и отсоедините вилку от сетевой розетки.

#### 1. Проверка сменного инструмента

Поскольку использование изношенной принадлежности, как например, пирамидального долота, резца и т.п., приведет к снижению производительности и, возможно, к сбоям в работе двигателя, без промедления заточите принадлежность или замените ее новой принадлежностью, как только заметите износ.

#### 2. Осмотр крепежных винтов

Регулярно выполняйте осмотр всех крепежных винтов и проверяйте их надлежащую затяжку. При ослаблении каких-либо винтов немедленно затяните их повторно. Невыполнение этого требования может привести к серьезной опасности.

#### 3. Обслуживание двигателя

Обмотка двигателя представляет собой «сердце» электроинструмента. Соблюдайте надлежащие меры предосторожности для защиты обмотки от повреждений и/или попадания на нее влаги, масла или воды.

#### 4. Осмотр угольных щеток (рис. 10)

В двигателе используются угольные щетки, которые постепенно изнашиваются. Когда щетки приблизятся к «пределу износа» ⓐ или сравняются с ним, могут начаться перебои в работе двигателя.

Если двигатель оснащен отключающейся угольной щеткой, он прекратит работу автоматически. В это время замените обе угольные щетки новыми, имеющими тот же номер ⓐ, как показано на рис. 10. Кроме того, всегда содержите угольные щетки в чистоте и обязательно следите за тем, чтобы они могли свободно скользить в щеткодержателях.

#### 5. Замена угольных щёток (рис. 10)

Ослабьте два установочных винта и снимите пластину и заднюю крышку. Снимите колпаки щеток и угольные щетки. После замены угольных щеток не забудьте надежно затянуть колпаки щеток и установить пластину и заднюю крышку.

#### 6. Замена шнура питания

Во избежание опасности травмирования замена шнура питания должна производиться изготовителем этого элемента.

### ОСТОРОЖНО

При использовании или техобслуживании инструмента всегда следите за выполнением всех правил и норм безопасности.

### ГАРАНТИЯ

Мы гарантируем соответствие автоматических инструментов NI-KOKI нормативным/национальным нормам. Данная гарантия не распространяется на дефекты или ущерб, возникший вследствие неправильного использования или ненадлежащего обращения, а также нормального износа. В случае подачи жалобы отправляйте автоматический инструмент в неразобранном состоянии вместе с ГАРАНТИЙНЫМ СЕРТИФИКАТОМ, который находится в конце инструкции по обращению, в уполномоченный центр обслуживания NI-KOKI.

---

## Информация относительно создаваемого шума и вибрации

Измеряемые величины были определены в соответствии со стандартом EN60745 и заявлены в соответствии с ISO 4871.

Измеренный средневзвешенный уровень звуковой мощности: 101,9 дБ (А)

Измеренный средневзвешенный уровень звукового давления: 87,9 дБ (А)

Погрешность К: 1,8 дБ (А).

Надевайте средства защиты органов слуха.

Общие значения вибрации (сумма векторов триаксиального кабеля) определяются в соответствии с EN60745.

Вырубка бетона:

Значение уровня вибрации  $a_h, C_{req} = 9,0 \text{ м/с}^2$

Погрешность К = 1,5 м/с<sup>2</sup>

---

Заявленное суммарное значение вибрации было измерено в соответствии со стандартным методом испытаний и может применяться для сравнения инструментов.

Оно также может использоваться для предварительной оценки воздействия.

### ПРЕДУПРЕЖДЕНИЕ

- Уровень вибрации во время фактического использования электроинструмента может отличаться от заявленного суммарного значения, в зависимости от способа использования устройства.
- Определить меры предосторожности для защиты оператора, которые основаны на расчете воздействия при фактических условиях использования (принимая во внимание все периоды цикла эксплуатации, то есть когда инструмент выключен, работает на холостом ходу, а также время запуска).

---

### ПРИМЕЧАНИЕ

На основании постоянных программ исследования и развития компания НіКОКІ оставляет за собой право на изменение указанных здесь технических данных без предварительного уведомления.

---



280 mm : 313471  
400 mm : 313472



280 mm : 313473  
400 mm : 313474



W50x400mm : 313475



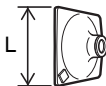
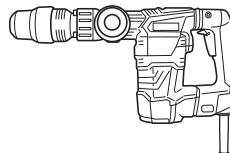
400 mm : 313476



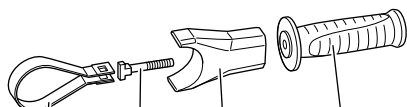
313477



200 mm : 313479



L = 150 mm : 313478

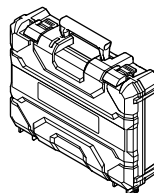


373245

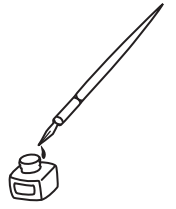
373244

330209

331247



373405

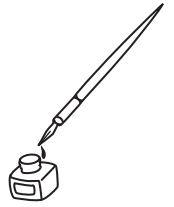


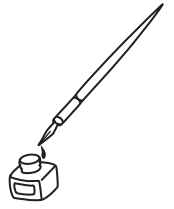
# HIKOKI

English	<b>GUARANTEE CERTIFICATE</b> ① Model No. ② Serial No. ③ Date of Purchase ④ Customer Name and Address ⑤ Dealer Name and Address (Please stamp dealer name and address)	Русский	<b>ГАРАНТИЙНЫЙ СЕРТИФИКАТ</b> ① Модель № ② Серийный № ③ Дата покупки ④ Название и адрес заказчика ⑤ Название и адрес дилера (Пожалуйста, внесите название и адрес дилера)
Український	<b>ГАРАНТІЙНИЙ СЕРТИФІКАТ</b> ① № моделі ② № серії ③ Дата придбання ④ Ім'я і адреса клієнта ⑤ Ім'я і адреса дилера (Будь ласка, поставте печатку з іменем і адресою дилера)		

①	
②	
③	
④	
⑤	







<p>English</p> <p><b>EC DECLARATION OF CONFORMITY</b></p> <p>We declare under our sole responsibility that Demolition Hammer, identified by type and specific identification code *1), is in conformity with all relevant requirements of the directives *2) and standards *3). Technical file at *4) – See below.</p> <p>The European Standard Manager at the representative office in Europe is authorized to compile the technical file.</p> <p>2000/14/EC</p> <ul style="list-style-type: none"> <li>Type of equipment: Hand-held concrete breaker</li> <li>Type name: H41MB2</li> <li>Weight of equipment: 5.2 kg</li> <li>Conformity assessment procedure: Annex VI</li> <li>Notified Body: CE 0044 TÜV NORD CERT Am TÜV 1, 30519 Hannover, Germany</li> <li>Measured sound power level: 100 dB</li> <li>Guaranteed sound power level: 103 dB</li> </ul> <p>The declaration is applicable to the product affixed CE marking.</p>	<p>Русский</p> <p><b>ДЕКЛАРАЦИЯ СООТВЕТСТВИЯ ЕС</b></p> <p>Мы заявляем под свою исключительную ответственность, что Отбойный молоток, идентифицируемый по типу и соответствующему идентификационному коду *1), отвечает всем соответствующим требованиям директив *2) и стандартов *3). Техническая документация в *4) – см. ниже.</p> <p>Менеджер по европейским стандартам в представительстве в Европе уполномочен составлять техническую документацию.</p> <p>2000/14/EC</p> <ul style="list-style-type: none"> <li>Тип оборудования: Ручной бетонолом</li> <li>Обозначение типа: H41MB2</li> <li>Вес оборудования: 5,2 кг</li> <li>Процедура определения соответствия: Дополнение VI</li> <li>Орган регистрации: CE 0044 TÜV NORD CERT Am TÜV 1, 30519 Ганновер, Германия</li> <li>Измеренный уровень мощности звука: 100 дБ</li> <li>Гарантированный уровень мощности звука: 103 дБ</li> </ul> <p>Данная декларация относится к изделиям, на которых имеется маркировка CE.</p>
<p>Український</p> <p><b>ДЕКЛАРАЦІЯ ВІДПОВІДНОСТІ ЄС</b></p> <p>Ми заявляємо під нашу виключну відповідальність, що Відбойний молоток, визначений за типом та унікальним ідентифікаційним кодом *1), відповідає всім відповідним вимогам директив *2) та стандартів *3). Технічна документація на *4). Див. нижче.</p> <p>Відповідальний за дотримання європейських стандартів у представництві в Європі уповноважений заповнювати технічний паспорт.</p> <p>2000/14/EC</p> <ul style="list-style-type: none"> <li>Тип обладнання: Ручний бетонолом</li> <li>Позначення типу: H41MB2</li> <li>Вага обладнання: 5,2 кг</li> <li>Процедура визначення відповідності: Додаток VI</li> <li>Орган реєстрації: CE 0044 TÜV NORD CERT Am TÜV 1, 30519 Ганновер, Німеччина</li> <li>Вимірний рівень акустичної потужності: 100 дБ</li> <li>Гарантований рівень акустичної потужності: 103 дБ</li> </ul> <p>Ця декларація дійсна щодо виробу, маркованого CE.</p>	
<p>*1) H41MB2 C356086S C356087M C356086R</p> <p>*2) 2006/42/EC, 2000/14/EC, 2014/30/EU, 2011/65/EU</p> <p>*3) EN60745-1:2009+A11:2010 EN60745-2-6:2010 EN55014-1:2006+A1:2009+A2:2011 EN55014-2:1997+A1:2001+A2:2008 EN61000-3-2:2014 EN61000-3-3:2013</p>	
<p>*4) Representative office in Europe <b>Hikoki Power Tools Deutschland GmbH</b> Siemensring 34, 47877 Willich, Germany</p> <p>Head office in Japan <b>Koki Holdings Co., Ltd.</b> Shinagawa Intercity Tower A, 15-1, Konan 2-chome, Minato-ku, Tokyo, Japan</p>	<p>30. 4. 2020 Akihisa Yahagi European Standard Manager</p> <p>30. 4. 2020  A. Nakagawa Corporate Officer</p>

**Hikoki Power Tools RUS L.L.C.**  
Kashirskoe Shosse 41, bldg. 2, 115409, Moscow, Russia  
Tel: +7 495 727 4460  
Fax: +7 495 727 4461  
URL: <http://www.hikoki-powertools.ru>

**Koki Holdings Co., Ltd.**